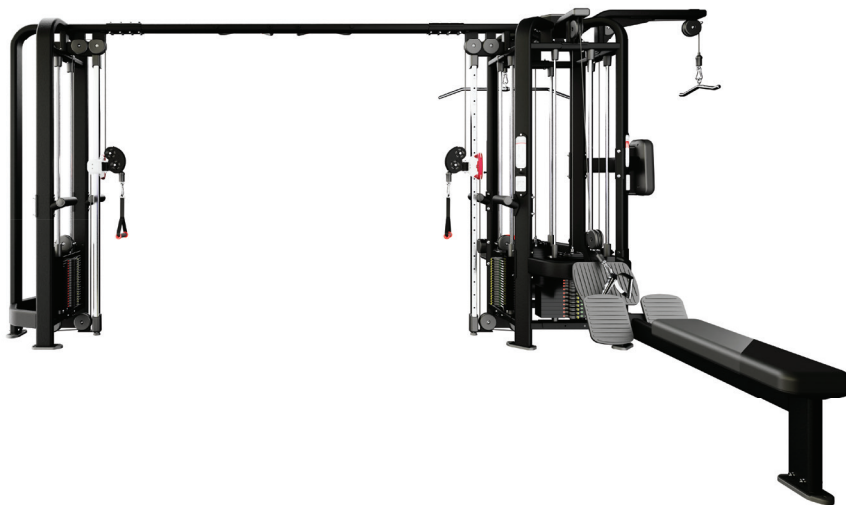


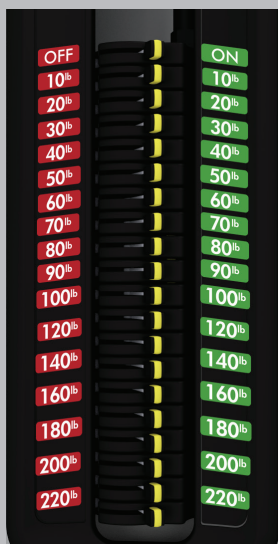
NAUTILUS® MULTI-STATIONS

Each of our multi-stations have the smallest possible footprint, while combining the most essential elements from our strength lines. Add in great features like swiveling pulleys on the Lat Pull Down, Low Row and Triceps Press and fully adjustable pulleys on the Cable Crossover System, and you have an economical, space-saving equipment solution that doesn't look, feel or train like one.



5 STATION 9NP-M9605

W	200 IN (508 CM)
L	152 IN (387 CM)
H	94 IN (239 CM)
STACK WEIGHT	LAT PULL DOWN/LOW ROW 297 LBS (135 KG) TRICEPS PRESS 231 LBS (105 KG) CROSS OVER 2 X 115.5 LBS (2 X 52.5 KG)
OVERALL WEIGHT	2350 LBS (1066 KG)
SHIPPING WEIGHT	2556 LBS (1160 KG)



LOCK N LOAD® WEIGHT SELECTION

Selecting a weight with the intuitive Lock N Load design is as easy as flicking a switch. Universally color coded switches engage and disengage the weight via an internal pin, providing a safer, more durable and maintenance free operation. Lock N Load prevents unnecessary maintenance headaches since there are no pins to lose or replace.



MID-ROW ADD ON

The Mid Row station is designed to target and strengthen the muscles of the middle back and shoulder areas. This machine offers adjustable resistance settings, swiveling pulley, which allows users to customize the intensity of their workout based on their fitness level and goals. Its ability to isolate and target specific muscle groups, particularly in the middle back is a key advantage as well.

ADJUSTMENTS & MOVEMENTS

USER DEFINED RANGE OF MOTION	Yes
ASSISTED ADJUSTMENTS	Fully adjustable cable cross over system with spring-loaded pull pin handle for vertical adjustments
COLOR CODED PIVOT POINTS AND ADJUSTMENTS	Yes on all units
UNILATERAL OR BILATERAL MOVEMENT	Unilateral and Bilateral, cable driven movements
CONVERGING OR DIVERGING MOVEMENTS	User defined path of motion with swivel pulley and unlimited high-low cable positioning combinations
PULLEY RATIO	2:1

FRAME SPECIFICATIONS & CABLE INFORMATION

STANDARD FRAME COLOR OPTIONS	Matte Black (-60)
STANDARD UPHOLSTERY COLOR OPTIONS	Black
FRAME FINISH	Electrostatic Powder coating
CUSTOMIZABLE PAINT OPTIONS AVAILABLE	Yes with additional fees and extended lead times
CUSTOMIZABLE UPHOLSTERY OPTIONS AVAILABLE	Yes with additional fees and extended lead times
CUSTOMIZABLE BRANDING OPTIONS AVAILABLE	Yes with additional fees and extended lead times
CABLE VS. BELT DRIVEN TRANSMISSION	Cable drive
BOLT DOWN LOCATIONS DEFINED	Yes
INTEGRATED LEVELING SYSTEM	No, rubber feet for floor protection
HARDWARE TYPE	Hex / Button Head
TUBING STYLE & THICKNESS	Modern blend of square and round tubing. Most are 3 or 2.5mm / 11 ga

USER SPECIFIC INFORMATION

STATIC PLACARDS	Yes, simple and intuitive placard
MULTI-LANGUAGE PLACARDS OPTIONS AVAILABLE	Yes
ANIMATED LENTICULAR	No
SAFETY CATCH & STOPS	Yes
WATER BOTTLE HOLDER	No
PHONE HOLDER	No
GRIP SPECIFICATIONS	Stabilization handles for balance and control. Rubber, large grips for pushing, smaller grips for pulling. Multiple handle accessory options: add-on package avail 95-0590 (1) triceps rope, (1) aluminum lat bar, (1) aluminum curl bar, (1) aluminum low row handle, (1) single rope handle, (1) v-triceps bar, (1) ankle cuff, (1) walking wait belt
FOOT PLATFORM	Independent rubber foot platforms for low row stabilization
CONTOURED PADS	No
RESTRAINT SYSTEM	N/A

WEIGHT STACK SPECIFICATIONS

TOTAL STACK WEIGHT	1056 lbs (479 kg)
INCREMENTAL WEIGHT SYSTEM	5 lb incremental add on plates
WEIGHT STACK TOWER HEIGHT	N/A
PLATE LOADED	No
WEIGHT STORAGE SOLUTION	N/A
LNL TECHNOLOGY	Yes
ADD-ON RESISTANCE AVAILABLE	5 lb incremental plates
WEIGHT STACK SHROUD SPECIFICATIONS	Steel on Cable Cross Over

At Core Health & Fitness, we bring innovative health and fitness solutions to the global market. We're home to (commercial fitness) brands like StairMaster, Nautilus, Throwdown, Star Trac, Schwinn, and Wexer. Offering a combination of equipment, trainer education, and digital fitness solutions, we press into the future of fitness to ensure the creation of quality products and programming that meet the needs of an ever-evolving industry. Beyond products, installation, customer service, and support, Core can also provide financing options and a variety of partner connections who can build out your entire space, no matter the size.